

IMX

PRODUCT HIGHLIGHTS

- High efficiency T5 & T8 lamps for significant energy savings over HID high bays.
- Unit may be pendant, chain or surface mounted
- Hub mounting option allows single-point mount for direct replacement of HID High Bays
- Available in 4', and 8' lengths
- Reflector and lampholders can optionally hinge to ease access to lamps and ballasts
- Shallow fixture depth 3-7/32
- Minimum fixture weight - less load on building structure

CONSTRUCTION - Fixture housing, end sections, and lampholders of code gauge die formed steel, standard reflector of code gauge die formed aluminum, MIRO 4 finish.

ELECTRICAL - All devices UL/CUL listed. Suitable for damp locations. Damp location emergency pack must be specified separately. Ballasts are energy-saving, solid-state electronic. Ballasts and lampholders replaceable without removing from ceiling. Discrete voltage must be specified for emergency pack options when wired with flex. Where lamps are included as part of the fixture, lamp CRI and color temperature must be specified.

FINISH - All metal parts and housing are finished with high reflectance, lighting fixture white polyester powder after fabrication.

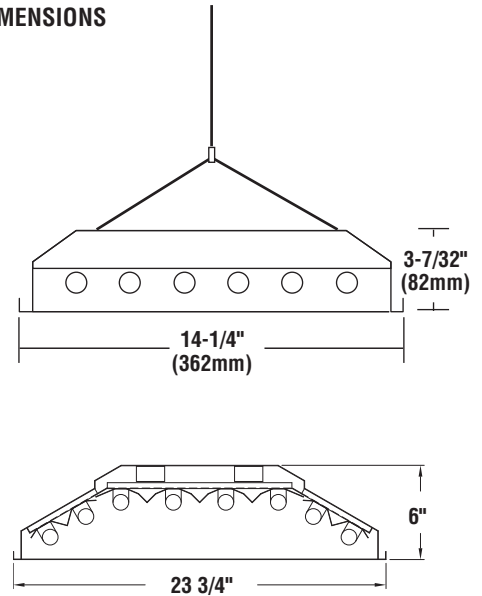
PHOTOMETRICS - Please visit our web site at www.lsi-industries.com for detailed photometric data.



LINEAR FLUORESCENT HIGH BAY



DIMENSIONS



IMX-832 XSECTION

LUMINAIRE ORDERING INFORMATION

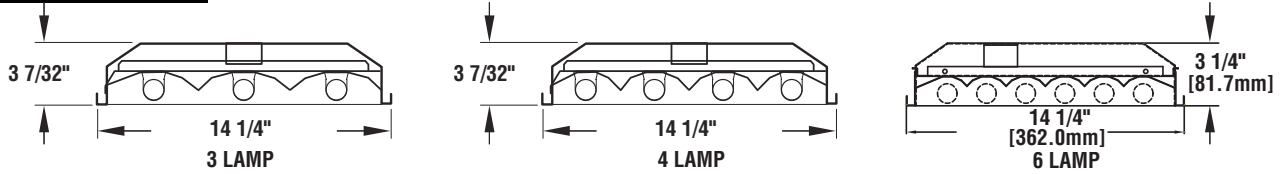
TYPICAL ORDER EXAMPLE: **IMX 4 54 SS5HO EMDL UE**

Prefix	Lamps	Lamp Type	Ballasts	Options	Voltage
IMX	2 3 4 6 8	54 - 54W 46" T5 HO	SS5HO - T5HO Program Rapid Start SSO - T8 Instant Start SSOD - T8 Dimming (specify type) SSOL - T8 Low Watt SSOHL - T8 High Power Factor SSOR - T8 Rapid Start	F - Fusing EM - Emergency Pack EMDL - Emergency Pack - Damp Location OCS - Occupancy Sensor (specify type) WHT - White Reflector HUB - Hub Mounting Hardware 3/4" NPS U - Uplight reflector CHS IMX - V hook chain set (see mounting accessories) LM - Lamps Installed (specify type)	120 - 120V 277 - 277V 347 - 347V UE - Universal Electronic (120-277V)
	4 6 8	32 - 32W 48" T8 Note: Add -2 for tandem units	(For dual ballasts add "2". Example: SS02. Specify if special configuration required. Example: 2 lamp/4 ballast)		

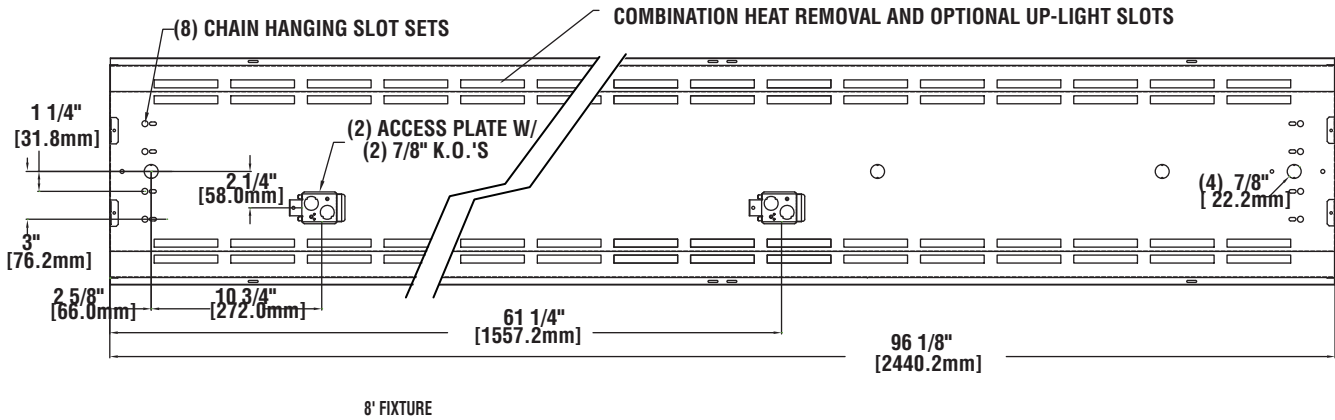
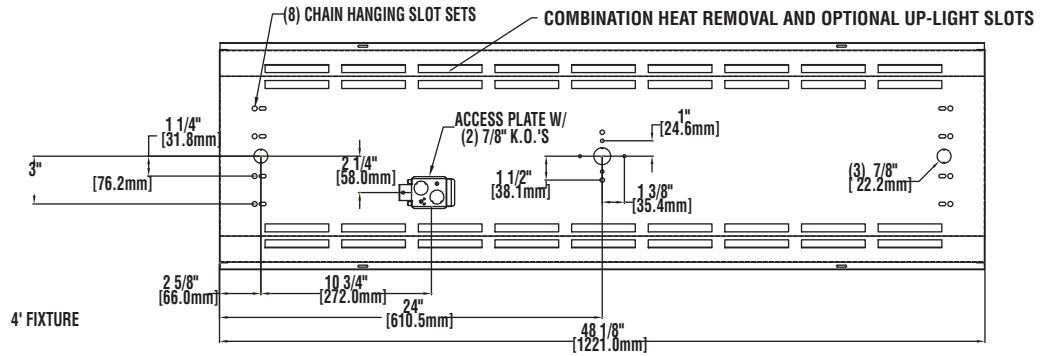
ACCESSORY ORDERING INFORMATION (Accessories are field installed)	
Description	Order Number
Wire Guard	WG-IMX
Prismatic Acrylic Lens Door Assembly	PAX-A
Clear Acrylic Lens Door Assembly	PAX-C

IMX (3,4 & 6 LAMP)

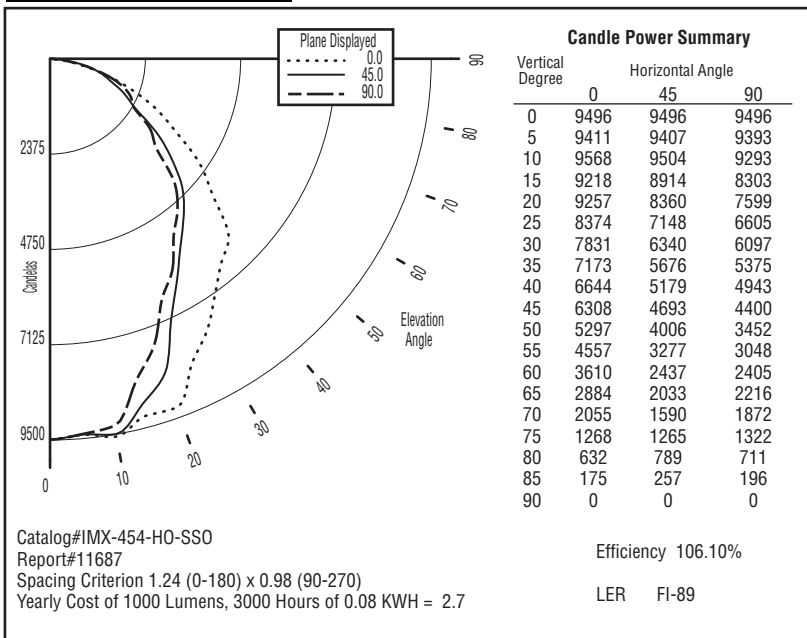
DIMENSIONS



MOUNTING



PHOTOMETRICS

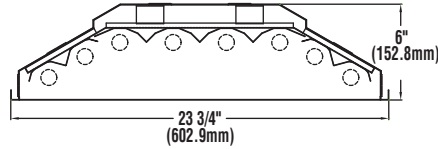


Zone	Lumens	%Lamp	%Fixt
0-30	6845.93	34.2	32.3
0-40	10616.88	53.1	50
0-60	17401.24	87	82
0-90	21226.34	106.1	100
90-120	0	0	0
90-130	0	0	0
90-150	0	0	0
90-180	0	0	0
0-180	21226.34	106.1	100

RC	80				70				50			
	70	50	30	10	70	50	30	10	50	30	10	
0	126	126	126	126	123	123	123	123	118	118	118	
1	116	111	107	103	113	109	105	101	104	101	98	
2	106	98	91	85	103	96	89	84	92	87	82	
3	97	87	78	72	95	85	77	71	82	75	70	
4	89	77	68	61	87	76	68	61	73	66	60	
5	83	69	60	54	80	68	60	53	66	58	53	
6	77	63	54	47	75	62	53	47	60	52	47	
7	71	57	48	42	69	56	48	42	55	47	42	
8	66	53	44	38	65	52	44	38	50	43	37	
9	62	48	40	34	61	48	40	34	47	39	34	
10	59	45	37	31	57	44	37	31	43	36	31	

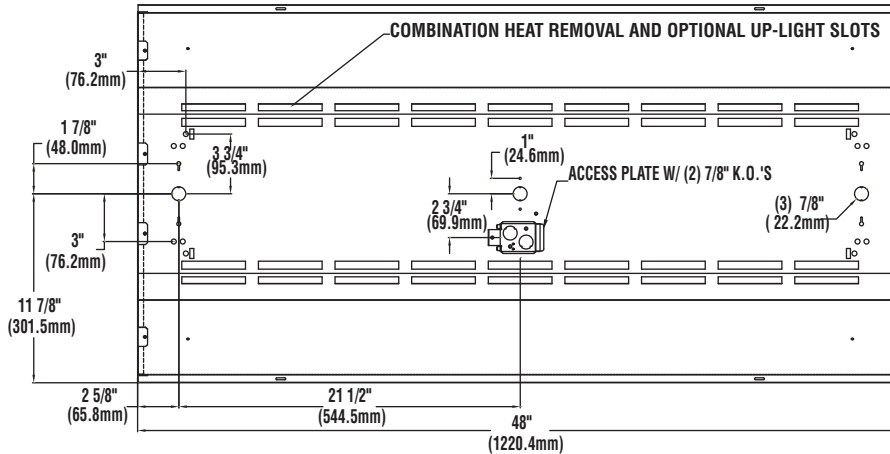
IMX (8 LAMP)

DIMENSIONS

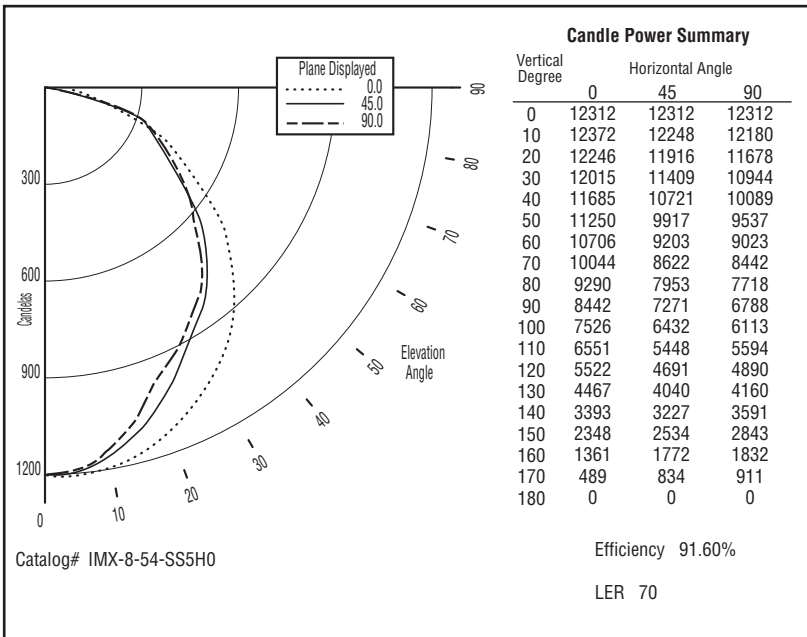


8 LAMP

MOUNTING



PHOTOMETRICS



Zonal Lumen Summary			
Zone	Lumens	%Lamp	%Fixt
0-30	9065.35	25.2	27.5
0-40	14622.2	40.6	44.3
0-60	25363.99	70.5	76.9
0-90	32976.99	91.6	100
90-120	0	0	0
90-130	0	0	0
90-150	0	0	0
90-180	0	0	0
0-180	32976.99	91.6	100

Coefficients Of Utilization - Zonal Cavity Method												
Effective Floor Cavity Reflectance 0.20												
RC	80				70				50			
	70	50	30	10	70	50	30	10	50	30	10	
0	109	109	109	109	107	107	107	107	102	102	102	
1	99	95	90	87	97	92	89	85	89	85	83	
2	90	82	76	70	88	80	75	69	77	72	68	
3	82	72	64	58	80	71	64	58	68	62	57	
4	75	64	56	49	73	63	55	49	60	54	48	
5	69	57	49	43	67	56	48	42	54	47	42	
6	64	51	43	37	62	51	43	37	49	42	37	
7	59	47	39	33	58	46	38	33	44	38	33	
8	55	43	35	29	54	42	35	29	41	34	29	
9	52	39	32	26	50	39	31	26	38	31	26	
10	48	36	29	24	47	36	29	24	35	28	24	