

HIGH PERFORMANCE INDUSTRIAL

HPI

PRODUCT HIGHLIGHTS

- High efficiency T5 & T8 lamps for significant energy savings over HID high bays
- Available in 4', and 8' lengths
- Shallow fixture depth 3-1/2"
- Less fixture weight = less load on building structure

HOUSING - Die-formed, 22 gauge cold rolled steel (CRS), painted after fabrication.

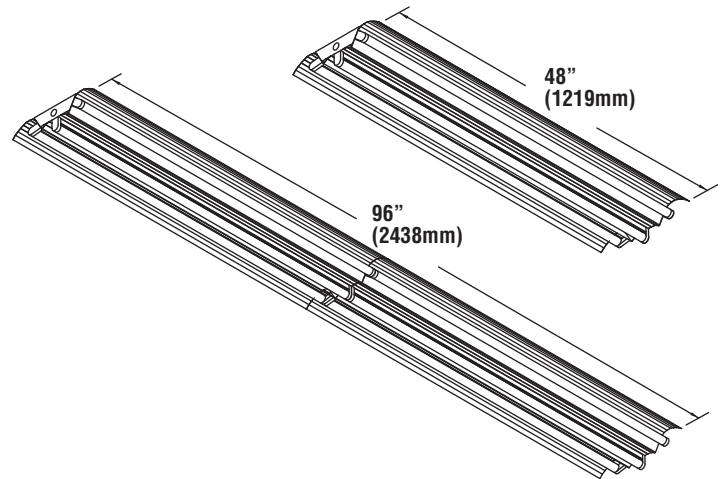
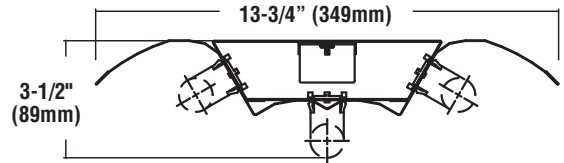
ELECTRICAL - All devices UL/CUL listed. Suitable for damp locations. Damp location emergency pack must be specified separately. Ballasts are energy-saving, HPF, electronic (SS or SSO). Ballasts and lampholders replaceable without removing from ceiling.

REFLECTOR - Computer designed, die-formed, specular aluminum. Retained with lance details, no tools required for removal. Enhanced specular or white reflectors available as options.

PHOTOMETRICS - Please visit our web site at www.lsi-industries.com for detailed photometric data.



DIMENSIONS



LUMINAIRE ORDERING INFORMATION

TYPICAL ORDER EXAMPLE: **HPI 3 54 SS5R F UE**

Prefix	Lamps	Lamp Type	Ballasts	Options	Voltage
HPI	3	54 - 54W 46" T5 HO 32 - 32W 48" T8 Note: Add -8T for 8 foot tandem units	SS010 - T8 Instant Start SS0D - T8 Dimming (specify type) SSOL - T8 Low Watt SSOHL - T8 High Light Output SSOR - T8 Rapid Start SS5R - T5 Programmed Start SS5HO - T5 High Output Programmed Start SS5DHO - T5 Dimming High Output (For dual ballasts add "2" Example: SS0102)	F - (GLR)Fusing EM - Emergency Pack EMDL - Emergency Pack Damp Location OCS - Occupancy Sensor (specify type)* WHT - White Reflector ESR - Enhanced Specular Reflector *(See Fluorescent Highbay Accessories for more options)	120 - 120V 277 - 277V 347 - 347V UE - Universal Electronic (120-277V)

FOOTNOTES

1 - Can only be used with programmed start ballast.

ACCESSORY ORDERING INFORMATION (Accessories are field installed)

*SEE FLUORESCENT HIGHBAY ACCESSORIES PAGE

11/04/09

Project Name _____ Fixture Type _____

Catalog # _____