

PRODUCT HIGHLIGHTS

- Solid top, embossed reflector
- Quarter-turn, captive fasteners release reflector for easy access to ballast compartment
- Furnished with alignment clips and channel coupler

CONSTRUCTION- Fixture housing, lampholder brackets, end sections and reflector constructed of code-gauge, die-formed steel. Housing channel crimped along sides for extra rigidity and straight alignment.

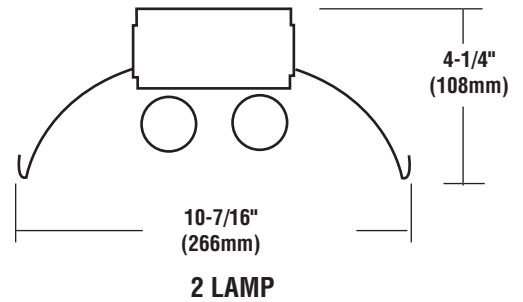
ELECTRICAL- A All devices UL/CUL listed. Suitable for damp locations. Damp location emergency pack must be specified separately. Ballasts are energy saving solid-state electronic or electromagnetic as selected. Ballasts and lampholders replaceable without removing from ceiling. Discrete voltage must be specified for emergency pack options when wired with flex.

FINISH - All metal parts painted after fabrication following treatment with phosphate rust inhibitor. Finish coating of housing reflecting surfaces is with white, high reflectance (minimum 92%) polyester powder.

PHOTOMETRICS - Please visit our web site at www.lsi-industries.com for detailed photometric data.



DIMENSIONS



ORDERING INFORMATION

TYPICAL ORDER EXAMPLE: **F22 2 32 SSO EM 120**

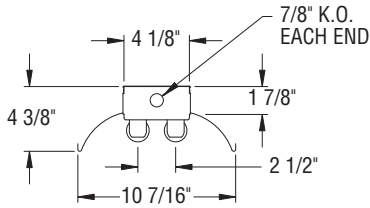
Prefix	Lamps	Lamp Type	Ballasts	Options	Voltage	
F22	2	T5 Lamps 28 - 28W 45" <hr/> T5HO Lamps 54HO - 54W 45" <hr/> T8 Lamps 32 - 32W 48" 59 - 59W 96" <hr/> T8HO Lamps 44HO - 44W 48" 86HO - 86W 96" <hr/> T12 Lamps 34 - 34W 48" Note: For tandem configurations suffix number above with "-2"	Slimline Lamps 48 - 39W 48" 72 - 56W 72" 96 - 75W 96" <hr/> T12HO 48HO - 60W 48" 72HO - 85W 72" 96HO - 110W 96" <hr/> VHO (1500MA) 48VHO - 110W 48" 72VHO - 160W 72" 96VHO - 185W 96"	SS5R - T5 Rapid Start SS5HO - T5 High Output SSO - T8 Instant Start SSOD - T8 Dimming (specify type) SSOL - T8 Low Watt SSOHL - T8 High Power Factor SSOR - T8 Rapid Start SS010 - T8 <10% THD SS12 - T12 Electronic M12 - T12 Magnetic - VHO M12E - T12 Magnetic Energy Saving (For dual ballasts add "2" Example: SS02)	F - Fusing EM - Emergency Pack EMDL - Emergency Pack damp location PM - Prewired Plug-in Assembly (specify circuitry. See Options/Accessories Section)	120 - 120V 277 - 277V 347 - 347V UE - Universal Electronic (120-277V)

ACCESSORY ORDERING INFORMATION

Description	Order Number
Wire Guard	IWGF22
Clamp Hanger	CH-12
Chain Hanging Set (36" Length)	CHS

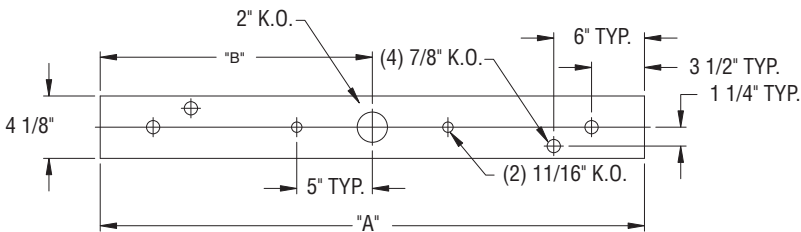
F22

DIMENSIONS



F-222
2 LAMP & 4 LAMP TANDEM
1-7/8" x 4-1/8" CHANNEL

MOUNTING



CATALOG	"A" DIM.	"B" DIM.
F-222-32 F-222-34	48"	24"
F-222-59 F-222-32-2 F-222-34-2	96"	48"

1-7/8" x 4-1/8" CHANNEL

PHOTOMETRICS

